

Smart ideas for the bigger picture.

celexon - your specialist
for home cinema and AV solutions

PRODUCT DESCRIPTION

The celexon Adjust-42100M is a motorised, height adjustable trolley for 42"- 100" displays. It provides a load capacity of up to 120kg and due to its mobility, is capable for use in different class room and meeting room environments. This high quality aluminium trolley can be height adjusted very easily using the remote control provided. The robust steel frame manoeuvres easily and safely with its heavy duty castors.

KEY FEATURES

- Flexible electrical height adjustment via remote control
- Supports the following VESA standards:
 - Vertical up to 600mm
 - Horizontal up to 800mm (200, 280, 300, 400, 440, 580, 600, 684, 710, 730, 754, 800)
- 500mm height adjustment
- Floor to the top of display trolley = 1365mm - 1865mm
- Colour: RAL9006 – white aluminium
- Suitable for 42" – 100" displays
- Max load: 120kg



OPTIONAL ACCESSORIES



Lap rack



Cam rack



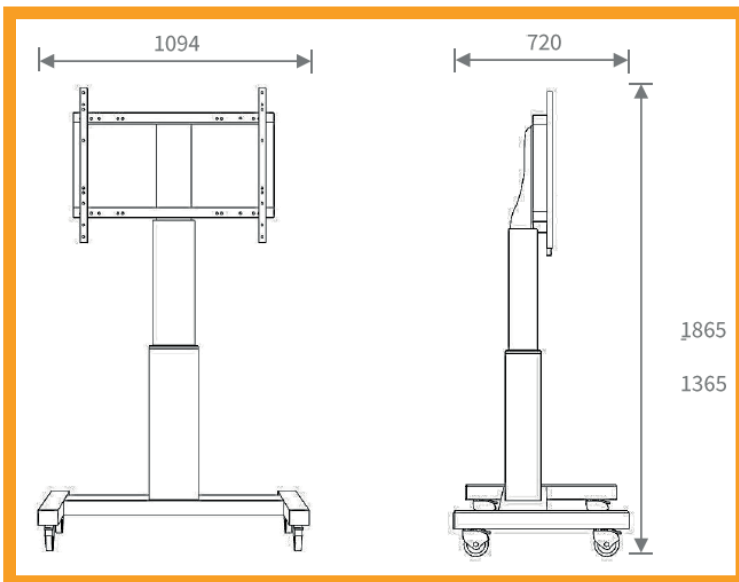
Frontplate

TECHNICAL DATA

Product	Outer measurements (mm) H x W x D	Net weight (kg)	Supported VESA standards	Height adjustment (mm)	EAN
celexon ADJUST-42100M	1865 x 1094 x 720mm	56	Horizontal up to 800mm (200, 280, 300, 400, 440, 580, 600, 684, 710, 730, 754, 800) Vertical up to 600mm	500	4260094736582

The dimensions provided are mean values of the production units. Very slight deviations may be possible. Due to continuous technical improvements, we reserve the right to change design and specifications without prior notice.

TECHNICAL DRAWING



Received from your celexon reseller:

