



Installation Guide

Celexon screen manual professional plus

Please read the installation instructions carefully before using the screen.

Please keep for future reference

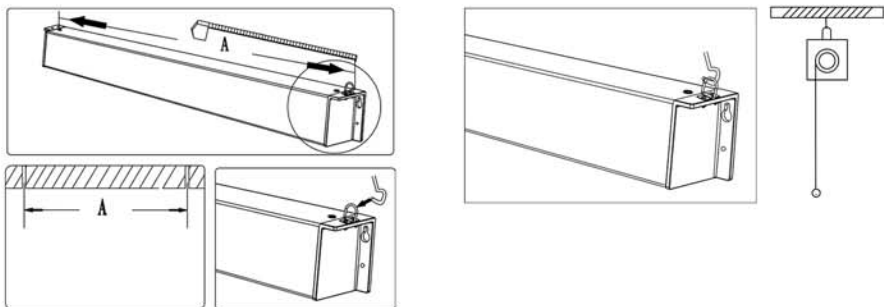
Installation

Install the screen so that it is central for most viewers. When fully extended, please ensure that the lower third is about eye level. The screen can be wall or ceiling mounted by screws or it can be fixed via hanging hooks from the ceiling.

(You may be required to purchase screws/hooks suitable for your specific building material – for mounting on a brick/concrete surface, use $\varnothing 6 \times 50$ mm screws/wall plugs, for mounting on a wooden surface, use $\varnothing 4 \times 50$ mm wood screws).

Ceiling installation (via hanging hooks)

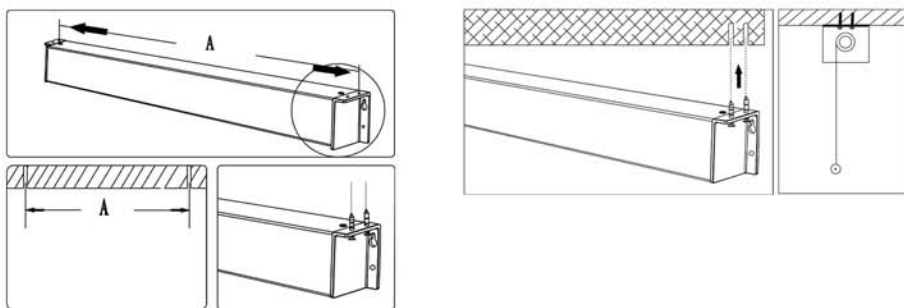
Attach the hooks to both end caps and measure the distance between the hooks. Mark out positions on the ceiling and drill holes for the hooks, ensuring that hooks are aligned and holes are level. (you may need to purchase wall plugs/screws suitable for your ceiling material). Hang up the screen.



Ceiling installation (screwed)

Measure the distance of the holes on the end caps (2 on each side) and mark out same distance on the ceiling. Ensure that they are aligned and drill holes. Use wall plugs and screws suitable for your ceiling material and screw the screen to the ceiling.

PLEASE NOTE: do not over tighten the screws! If cracks appear in the end caps, they must be replaced. Do not use the screen.

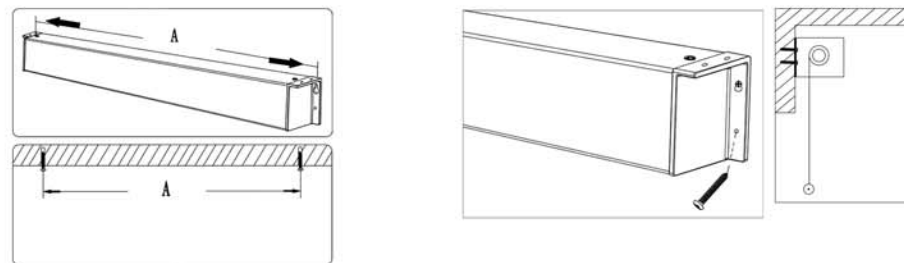


Installation

Wall installation (unscrew hooks beforehand if desired)

Measure the distance of the holes on the end caps and mark on the wall. Ensure that they are absolutely level. Use wall plugs and screws suitable for your wall material. Screw the two top screws into the wall up to 1cm and hang the screen on each side in the upper hole.

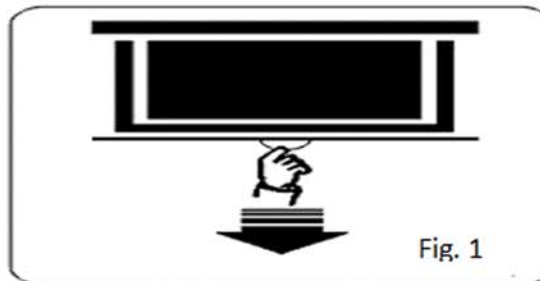
PLEASE NOTE: do not over tighten the screws! If you see cracks in the end caps, they must be replaced. Do not use the screen (if caps have cracked).



Operating instructions

To lower the screen:

Pull the fabric down to the desired position using the handle on the weighted bar (fig 1). Wait for about 3 seconds and slowly release the handle until the screen has stopped. The screen can be stopped approx. every 10cm.



To retract the screen:

Pull the fabric down – approx. 3-5 cm to disengage the locking mechanism (fig 2) and pause for a second. Once the locking mechanism has been disengaged, the screen will pull back automatically into its housing (slow-return-mechanism).

